

Chelino

PLATINUM



COYOTE II

CHELINOBABY GROUP OF COMPANIES,
NO. 12 KIMBERLITE ROAD, THETA EXT 5, BOOYSENS RESERVE, JHB, 2091.SA.
Tel: +2711 8352520

www.chelinobaby.co.za



Important:Keep these instructions for future reference.

WARNING! Never leave your child unattended.

WARNING! Ensure that all the locking devices are engaged before use.

WARNING! To avoid injury ensure that your child is kept away when unfolding and folding this product.

WARNING! Do not let your child play with this product.

WARNING! Check that the pram body or seat unit or car seat attachment devices are correctly engaged before use.

WARNING! This product is not suitable for running or skating.

WARNING! Do not overload as the stroller may become unstable.

WARNING! Any goods carried in the basket should not exceed 3 kg.

WARNING! Don't carry additional children, bags, goods or accessories in the stroller except those recommended by the manufacture.

WARNING! To avoid injury ensure that your child is kept away when unfolding and folding this product.

WARNING! Do not let your child to play with this product.

WARNING! Before making adjustments to the stroller, ensure that the child's body is clear of any moving parts.

WARNING! Child may slip into leg openings and strangle. Never use in reclined carriage positions.

WARNING! Do not allow the child to stand up on the seat.

WARNING! This stroller is designed for one child only.

WARNING! Any load attached to the handle and/ or on the back of the backrest and/ or on the sides of the vehicle will affect the stability of the vehicle.

WARNING! Do not use on escalators or stairs. Fold the stroller and carry it by hands.

WARNING! Check that the pram body or seat unit or car seat attachment devices are correctly engaged before use.

WARNING! Always activate the brakes when stop the stroller, put or take off any accessories.

WARNING! Ensure that all the locking devices are engaged before use.

WARNING! Do not use the stroller near open fire, exposed flame, barbecue or heater.

WARNING! Do not use the stroller if any screws,nuts,bolts,etc.are missing or any component is damaged.

WARNING! Do not lift the stroller by the bumper bar it may disengage.

WARNING! Note that the fabric patterns and stroller accessories in this instruction may vary from the one you have purchased.

WARNING! Only replacement parts supplied or recommended by the manufacturer/ distributor shall be used.

WARNING! Always apply the brakes when the pushchair is stationary, and when placing and removing children.

WARNING! The chassis is suitable for 0 month seat unit, 6 month seat unit, 2in1 seat unit, car seat and carry cot.

Safety - Seat unit mode

WARNING! Always use the restraint system.

Always use the crotch strap in combination with the waist belt.

WARNING! Always use the most reclined position for new born babies.

WARNING! This seat unit is suitable for children from birth to 36 months. Maximum weight of the child: 22kg.

WARNING! Do not allow your child to climb unassisted into or out of the pushchair.

Safety - Bassinette mode

WARNING! This product is suitable for a child who can not sit up unaided, roll over and can not push itself up on its hands and knees. Maximum weight of the child: 9Kg

WARNING! When the seat unit is suitable for new born baby, remove the restraint system.

WARNING! This product is suitable from birth until child can sit unaided. Max weight of the child: 9kg.

WARNING! When the vehicle is suitable for new born baby, the restraint system is not used.

WARNING! Never use the bassinette without the chassis.

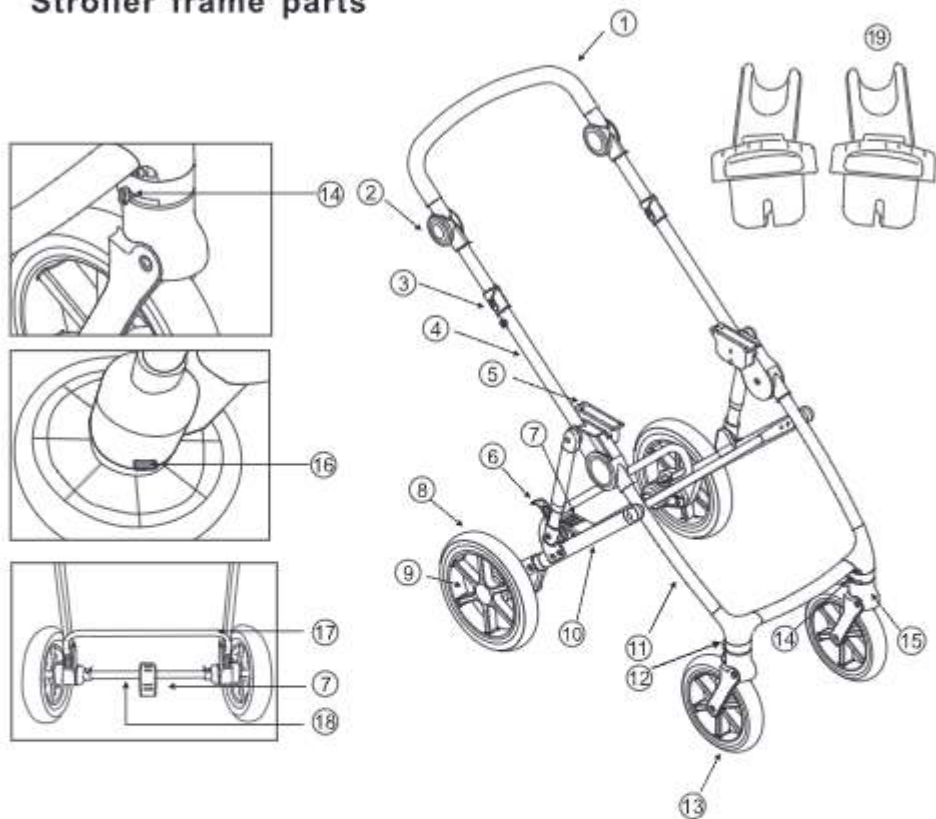
WARNING! The bassinette is not a carrycot. **DO NOT** attempt to lift or carry the bassinette/seat unit by the bumper bar. The bumper bar is **NOT** a carry handle.

This product complies with EN 1888-2:2018.

Care and maintenance

1. Fabric: sponge clean only with a mixture of water and mild detergent. Do not iron. Do not bleach.
2. Periodically check for loose and broken parts.
3. Exposing the stroller to direct sunlight for long periods may cause fading.
4. If the stroller becomes wet, dry the metal parts and store it at cool and ventilate.
5. Check if the air pressure of the wheels is normal or not before using (the standards air pressure is 20 Psi or 137.9Kpa).

Stroller frame parts

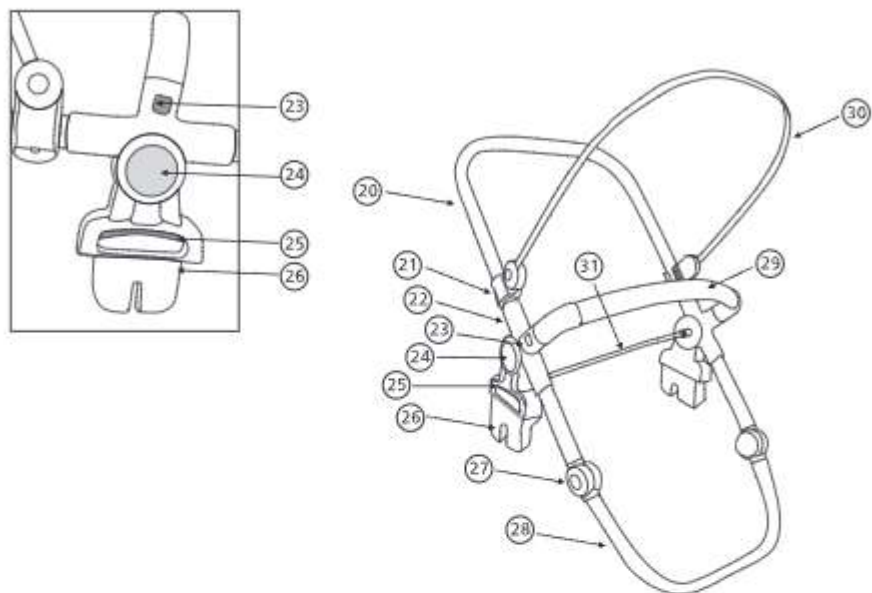


- 1. Handle grip
- 2. Adjustable handle button
- 3. Folding lever
- 4. Handle tube
- 5. Main connector
- 6. Auto lock
- 7. Brake and release pedal
- 8. Rear wheel

- 9. Wheel cap
- 10. Rear leg tube
- 11. Front leg tube
- 12. Front wheel quick release button
- 13. Front wheel
- 14. Directional lock
- 15. Front wheel socket

- 16. Rear wheel quick release button
- 17. Stabilizing tube
- 18. Brake line tube
- 19. Car seat adapters L/R

Seat unit parts



20.Seat unit upper

21.Canopy holder

22.Connectors of seat unit

23.Safety unit base

24.Seat unit adjustment
button

25.Seat unit release catch

26.Seat unit base

27.Adjustable leg rest
button

28.Seat unit bottom

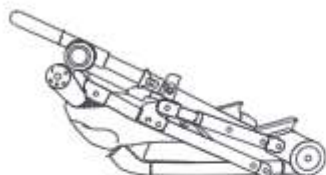
29.Safety bar

30.Canopy frame

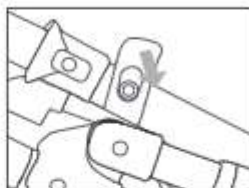
31.Seat unit supporting
lever

To open the stroller frame

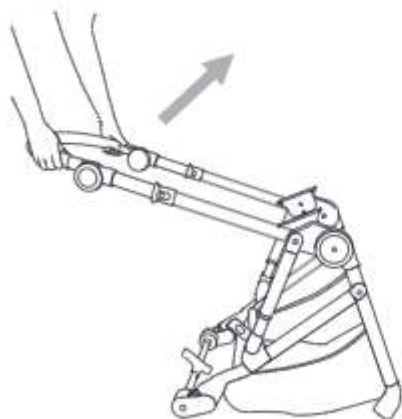
1. The status when it's folded.



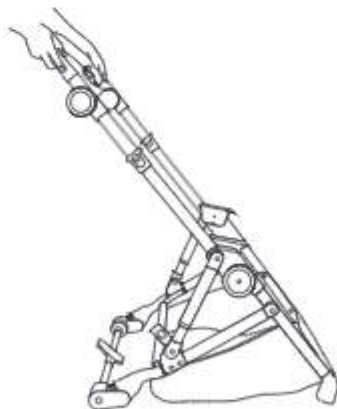
2. Release the folding hook as the picture shows.



3. Hold the handles and lift upwards until the chassis is fully expanded.

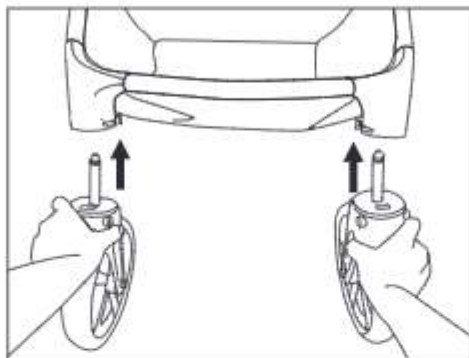


4. The status when it's unfolded.



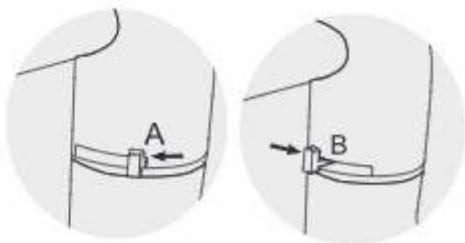
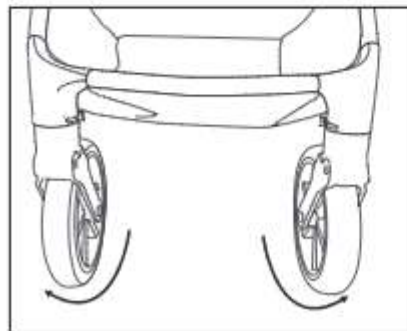
Front wheel assembly

Insert the front wheels into the front legs until you hear a click sound.



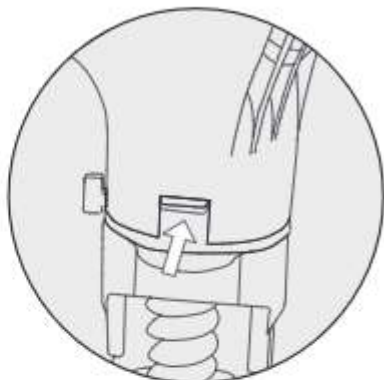
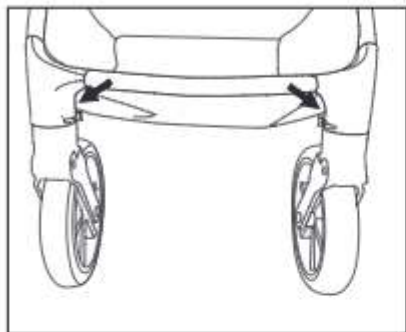
The front wheel orientation

To prevent the front wheels from swivelling, push the swivel locks backward (A).
To allow the wheels to swivel again pull the locks forward (B).



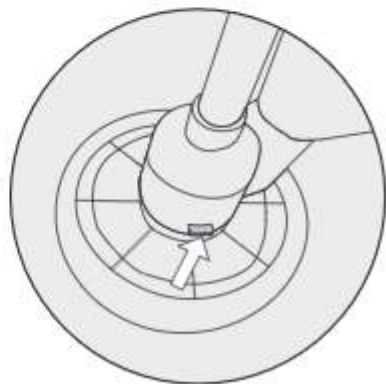
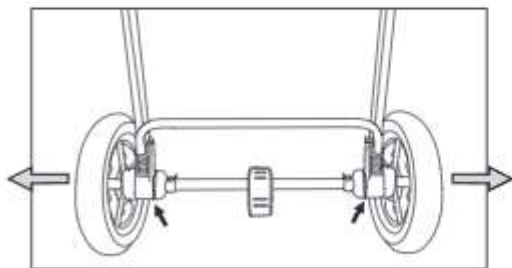
Front wheel release

If you press the quick release button on both sides of the front wheels, it can automatically remove the wheel.



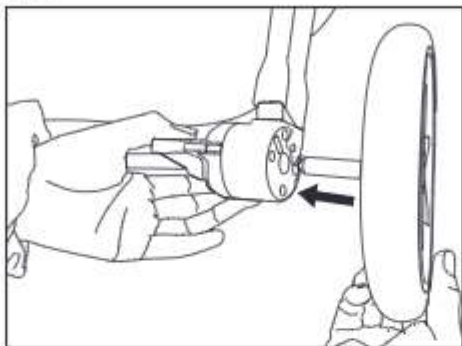
Rear wheel release

Press the rear wheel quick release button to unlock the rear wheels (as the pictures shows).



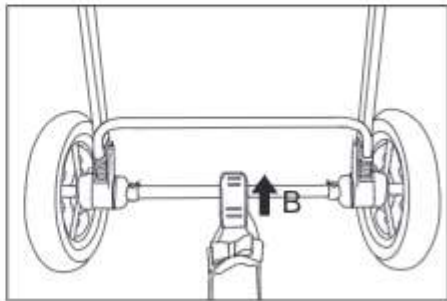
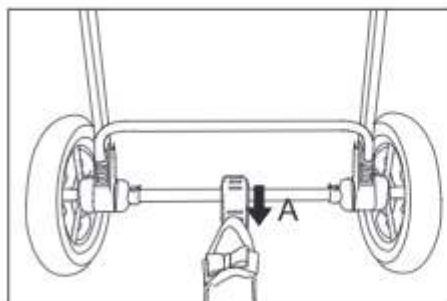
Rear wheel assembly

Insert the rear axle into the hole, until you hear a click sound. Ensure that it is engaged before use.



To use the brake

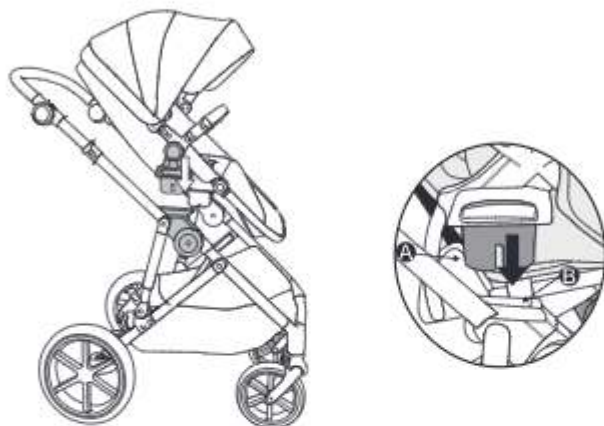
1. Step down the brake pedal until you hear a click sound to engage brake mechanism(A).
2. Step up the brake pedal to unlock the brakes(B).



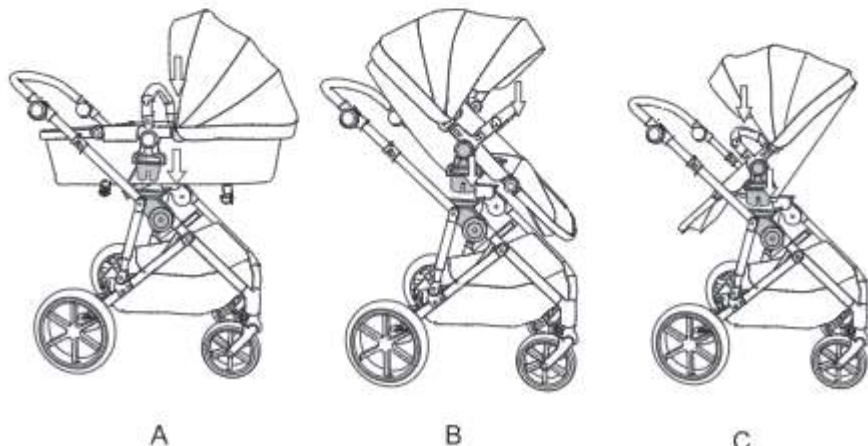
To install the seat unit

WARNING: This seat unit is suitable for children from birth to 36 months.
Maximum weight of the child: 22kg.

WARNING: Always use the most reclined position for new born babies.
Match the connector (A) of both sides of the seat unit in to the basement (B) on the stroller until you hear a click sound to make sure it is installed correctly.



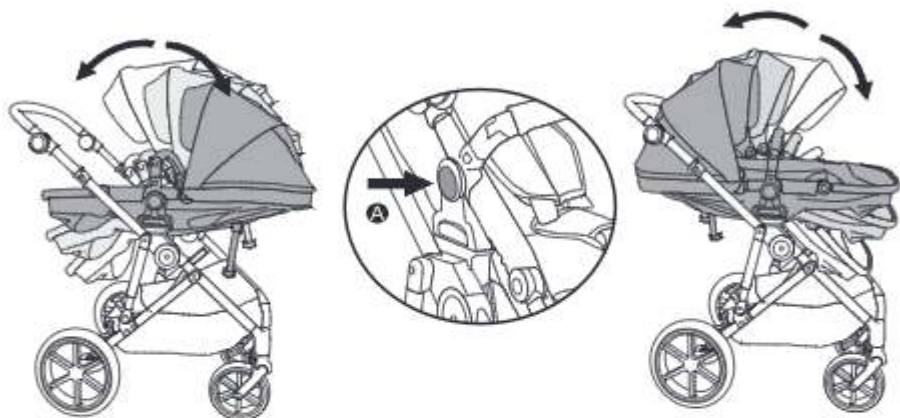
IMPORTANT: When use it as a carrycot, please install it facing to parents (A). You can install it facing to parents (C) or forward (B) when you use it as a seat unit.



Seat unit adjustment

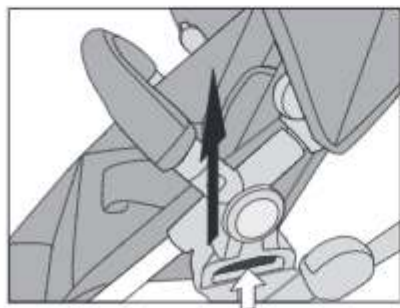
When use as seat unit, push the adjustment button at the same time on both sides of the seat unit to adjust the sitting angles.

Note: Only make it level condition when use it as a carrycot.



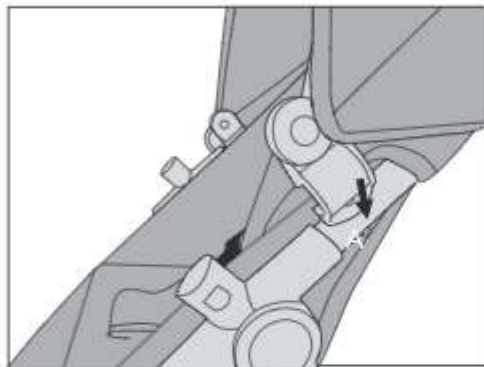
Seat unit release

Push the release button on both sides of the seat unit and pull up the seat unit to release it.



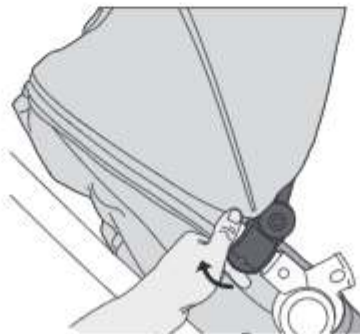
Canopy assembly

The canopy attaches to the seat unit where the metal studs (A) are located. Hook the clips over the top of the tubing then push the bottom of the clips on and over the metal studs, then connect and fix the metal press button (B) on both canopy and seat unit.



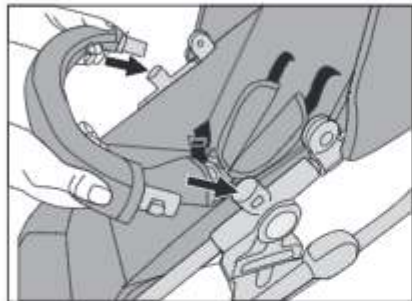
Canopy release

Release the metal press studs connected on canopy and seat unit, then by pulling the canopy clips outwards to remove the clips off the tube.



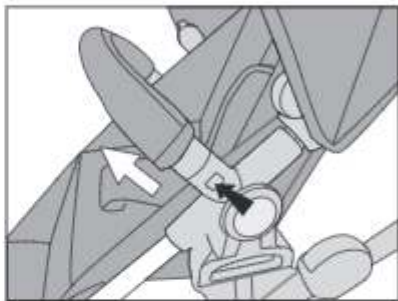
To use bumper/ safety bar

Install: Hold the bumper bar, slide the bumper tips into the connection points until you hear a clicking sound.



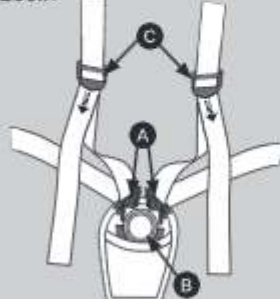
Releasing the bumper bar: Push two buttons of each side of the bumper bar while pull it out.

Push the button on either side of the bumper bar whilst pulling on the bar.



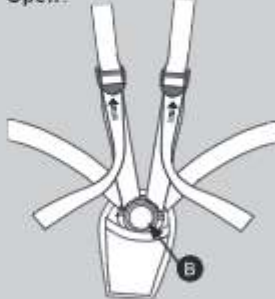
To use safety belts

Lock:



Lock the safety belt: insert the safety plug (A) into the safety socket (B) until it clicks into place. Adjust the ladder buckle (C) on the shoulder belt to make the harness fits snugly.

Open:

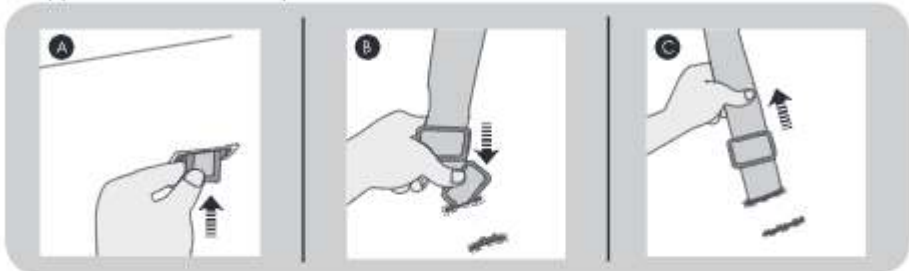


Release the seat belt: hold and press the top and bottom safety buckle seats (B) with your thumb and index finger. The harness fit can be adjusted using the ladder buckle (C) on the shoulder belt.

WARNING: Ensure harness is correctly fitted at all times.

Repositioning the safety harness

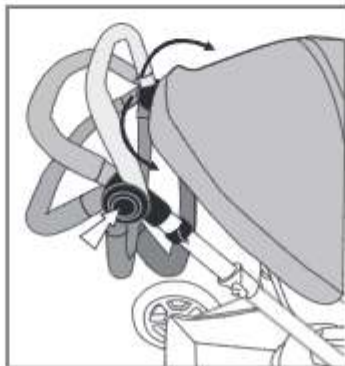
The shoulder straps and waist straps can be repositioned to suit the size of your child. Use the shoulder straps in one of the three slots that are closest to your child's shoulder height and position the waist strap in one of the two slots that best suits your child's waist size. Adjust the crotch strap for a snug fit, ensuring your child is safely strapped in and cannot slip out.



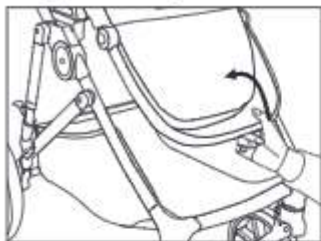
- A) Feed the shoulder or waist strap retainers from the rear of the seat through to the front of the seat.
 (B) Thread the retainers back through to the rear of the seat at the desired setting.
 (C) Ensure the straps are fitted correctly and securely, by pulling the straps up sharply.

Adjust the handle

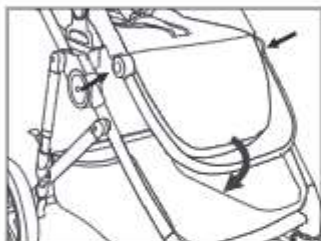
Pressing the adjustable handle button at the same time to operate different height of the handle(seven sections).



Leg rest adjustment



1. Adjust the leg rest by pushing it up.



2. Pressing the adjustable button both sides at the same time to pushing it down.

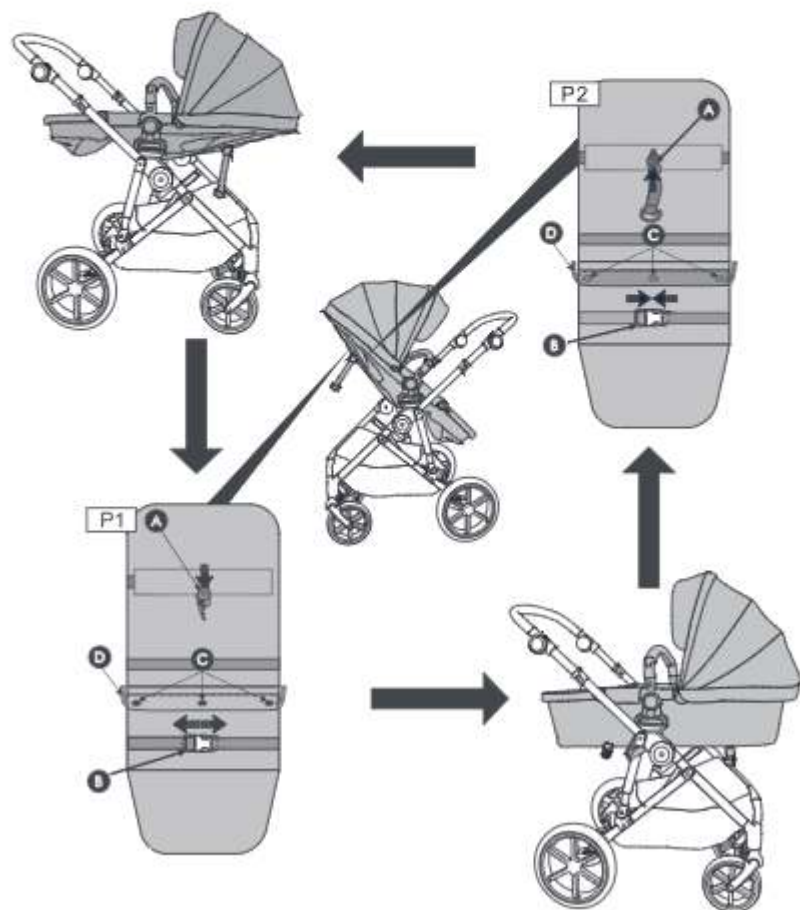
Conversion between seat unit and carrycot

WARNING: Do not convert the seat unit with a child seated in it.

WARNING! When the seat unit is suitable for new born baby, remove the restraint system.

1. Convert sitting mold to sleeping mold: release buckle B on back side, hold the button in the middle of infinite adjustment A on back side, and pull down until it can be converted into sleeping mold (P1).
2. Convert the sleeping mold to the sitting mold: fix buckle B on the back side and push up the infinite adjustment A to convert the sleeping mold to the sitting mold (P2).

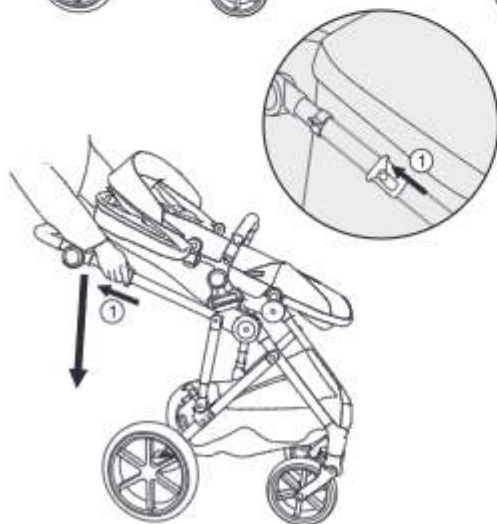
Note: Make sure that it is in level condition when use it as a carrycot.



To fold the stroller

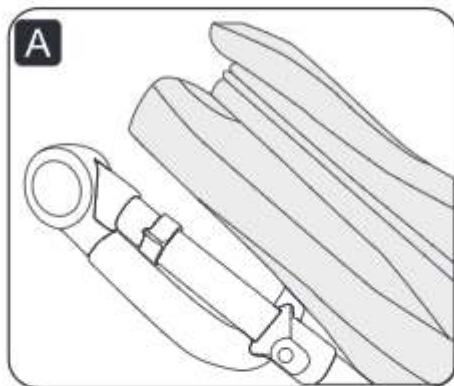
WARNING! To avoid injury ensure that your child is kept away when unfolding and folding this stroller.

1. Make sure that the seat unit is forward facing (opposite to parent) before folding.
2. Fold the canopy.
3. Hold and pull up the release button ① on both right and left side, push the handle downward until the stroller is folded down. Ensure the folding lock secured.



Collect and put stroller:

1) To minimize the volume of the folded stroller, make the adjustable handle into smallest section before folding. (show as A).



Due to variation on the styles and designs of our products, the photographs and illustrations shown in this manual are generic. Therefore products fabric, colour and design may vary from images shown, Chelino reserves the right to alter products specifications.

IMPORTANT-READ CAREFULLY AND KEEP FOR FUTURE REFERENCE

This product complies with EN 1888-1:2018.

WARNING! A child's safety is your responsibility.

WARNING! Never leave your child unattended

WARNING! If your stroller is to be used by someone who is unfamiliar with it, e.g. grandparents, then show them how it works before letting them use it.

WARNING! This stroller is not suitable for running or skating.

WARNING! Ensure all locking mechanisms are engaged before use.

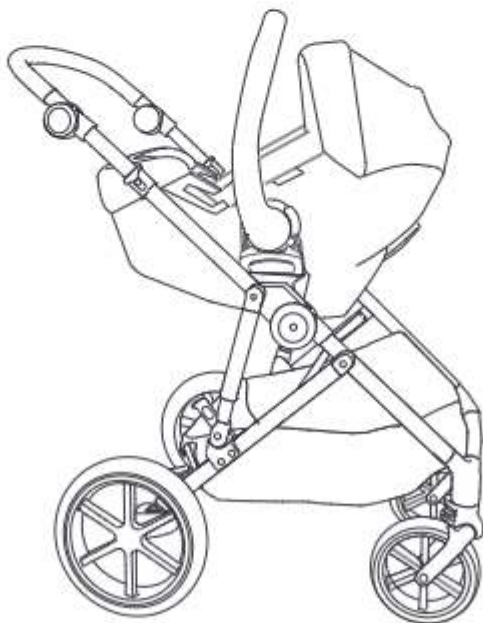
WARNING! Ensure that children are clear of moving parts before making adjustments.

WARNING! When a child is able to sit, kneel or pull itself up, the carrycot must not be used any more for this child.

WARNING! This car seat is suitable from birth to 13KG.

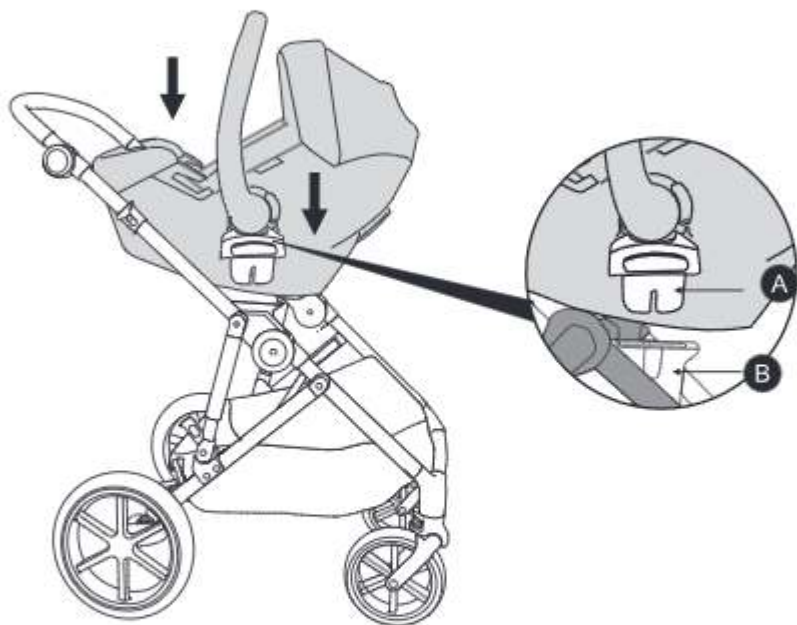
WARNING! For car seats used in conjunction with a chassis, this vehicle does not replace a cot or a bed. Should your child need to sleep, then it should be placed in a suitable pram body, cot or bed

WARNING! The car seat should be parent-facing



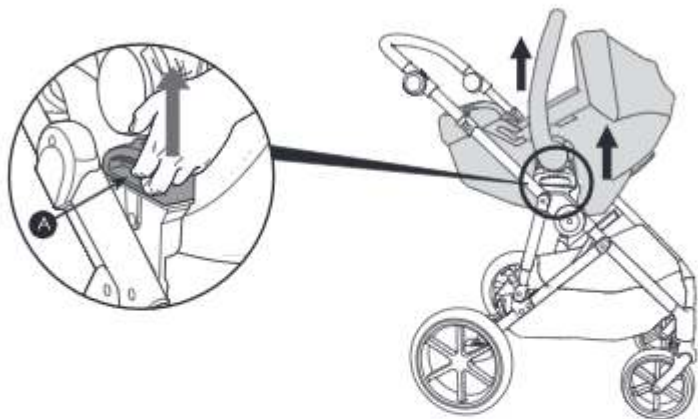
Attaching the car seat to the stroller chassis

Note: The car seat can only be fitted parent facing as shown. Hold the car seat so that it is facing the stroller handle. Position the car seat joints(A) above the mounting points(B) and push the car seat downwards until it clicks into place. Lift the car seat to ensure it is firmly attached to the stroller chassis.

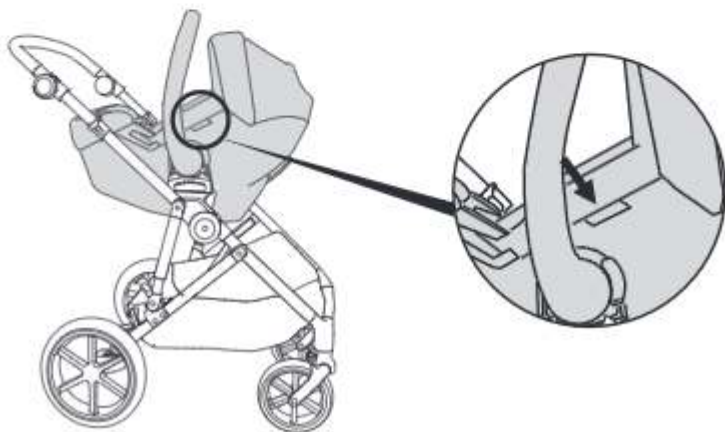


Removing the car seat from the stroller chassis

To remove the car seat, press in the release catches(A) on each side of the car seat adapter and lift the car seat off the chassis.



To release only the car seat from adapter, can push the buttons of 2 sides , Then push the A , can also release the adapter from chassis.



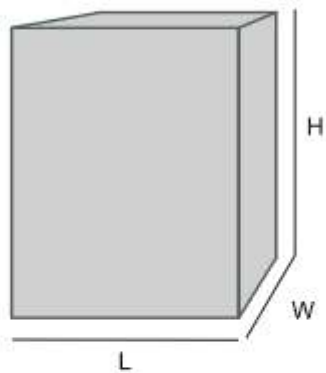
Dimension Info



LENGTH	96.5 CM	FOLDABLE LENGTH	51 CM
WIDTH	57.5 CM	FOLDABLE WIDTH	57.5 CM
HEIGHT	112.5 CM	FOLDABLE HEIGHT	76 CM

WEIGHT	9.5 KG
--------	--------

Instructions



CARTON LENGTH	52 CM
CARTON WIDTH	34 CM
CARTON HEIGHT	67 CM

SAFETY HINTS\INSTRUCTIONS OF USE \ WARRANTY & GAURANTEE GUIDELINES

- 1.Please read this User Guide thoroughly before using this product. If you are not sure on any point in this guide please consult with the sales person whom sold you this product or contact Chelino on 0118352520. Our offices hours are Monday to Thursday from 9:00 am to 13:00 pm and 14:00 pm to 16:30 pm and Fridays from 9:00 am to 12:00 pm and 14:00 pm to 16:30 pm. Our offices are closed on Saturdays, Sundays, Public holidays and for three weeks during the December/ January festive season. We are situated at 12 Kimberlite Road, Theta Ext, Booyens Reserve, 2091, Johannesburg, Gauteng, RSA.
- 2.To avoid suffocation or swallowing or any other illness, please keep all packaging which have been removed from parts wrapped in the box away from infants, toddlers, children or any other living being. Please carefully dispose of the unwanted packaging once this product is fully assembled and you are satisfied with your purchase.
- 3.Please make sure that you are entirely satisfied with your purchase before removing the warning card attached to this product and before using this product. Once the warning card has been removed and if this product has been used we will not accept the return of this product.
- 4.If you are not entirely satisfied with this product purchased, please disassemble this product and re-pack it in the original packaging and return it to the store you purchased it from together with the proof of purchase. Depending on the stores policy, you will either be entitled to a replacement product, a credit voucher or a refund. This depends on the stores policies.
- 5.If you are not entirely satisfied with the assemble of this product or if you are not 100% sure that you have assembled this product correctly, please take this product back to the store you purchased it from and request for some assistance in checking if the assembly is correct or get this product assembled. Depending on the store's policy, there could be an extra charge for this service. Chelino will not take any responsibility if this product is incorrectly assembled thus causing any sort of injury to the user or the child. Alternatively you can contact Chelino directly on 0118352520, our offices hours are Monday to Thursday from 9:00 am to 13:00 pm and 14:00 to 16:30 pm and Fridays from 9:00 am to 12:00 pm and 14:00 pm to 16:30 pm. Our offices are closed on Saturdays, Sundays, Public holidays and for three weeks during the December/ January festive season. There is a charge for the assembly of any product. If you require a Chelino representative to assemble this product you will have to bring this product to our offices which are situated at 12 Kimberlite Road, Theta Ext, Booyens Reserve, 2091, Johannesburg, Gauteng, RSA.
- 6.Please note, that any repair which will needs to be made to this product must be done at the Chelino workshop which is situated at 12 Kimberlite Road, Theta Ext, Booyens Reserve, 2091, Johannesburg, Gauteng, RSA. Our offices hours are Monday to Thursday from 9:00 am to 13:00 pm and 14:00 pm to 16:30 pm and Fridays from 9:00 am to 12:00 pm and 14:00 pm to 16:30 pm. Our offices are closed on Saturdays, Sundays, Public holidays and for three weeks during the December/ January festive season.We do not provide any loan\courtesy products while your product has been sent in for repairs. Chelino requires 7 working days to repair any product, but this lead time may vary depending on the transportation of the product too and from yourself. Once the warranty card is detached from this product and once this product is used even if used once and if there is a fault, this product will need to be sent to the Chelino Workshop for the repair and no refund\credit\exchange will be allowed. Only a Chelino representative can decide whether the product needs to be replaced\credited\exchanged.

7. Once you are satisfied with the assembly of this product and have read this instruction and agree to the terms stated and are ready to use this product, please ensure that all safety locks are engaged to ensure safe use of this product.
8. Please ensure that the child is always securely strapped into this product at all times. The seat belts must be properly adjusted to keep the child secured. If the seat belt is too loose the child could fall out thus causing injury. If the seat belts are too tight it will cause injury and aggravation to the child.
9. Never leave the child unattended or without parent/guardian supervision while in this product, as injury could be caused by other parties intentionally or unintentionally. This product can be knocked over and the child can be injured.
10. Never lift this product while the child is in it. This can cause this product to fold and thus causing injury to the child seated in this product. When confronted with a staircase, no matter how many steps there are, please use the alternatives such as an elevator/lift or ramp or remove the child from this product before using the staircase.
11. Never allow the child to stand on the seat of this product. This can cause this product to fold and thus causing injury to the child. The child can also fall out of this product causing injury to him/herself. This can also cause damage to structure of this product.
12. This product is designed for the use of only one child. This product cannot accommodate more than one child.
13. Always engage the brake when you are not using this product. Please note, by applying the brake one still cannot leave the child unattended and without parent supervision. If the brake is not engaged properly the product will move.
14. Take special care when adjusting the backrest if the child is seated in this product. It is preferred to select the desired backrest position before seating the child this product.
15. Prevent and do not allow any child to climb into this product or hang onto the handle bars or any other part of this product. This imbalance of weight can cause this product to topple thus causing injury.
16. Do not hang or place any diaper bag or shopping bags or any other item over the handle bars or canopy of this product. This weight can cause damage to this product and also cause this product to fold or topple.
17. Storage trays/storage compartments/cup holders are there for convenience and are not suitable for holding large amounts of liquids (hot or cold) or heavy objects. These areas are also not waterproof or leak proof and spillage can occur.
18. The storage basket situated underneath the seat can hold a maximum weight of 2kgs. Do not place any items heavier than 3kgs and items which do not fit in this basket as this will hamper the performance of this product.
19. This product is fit to carry a child weighing no more than 22kgs.
20. This product was designed to be used on smooth surfaces and in average weather climates. Do not use this product on rough terrains and uneven surfaces and in extreme weather conditions. Using this product in the undesired terrains and weather conditions can cause serious damage to this product and to your child.
21. Chelino takes no responsibility and will not be held liable for any damage or injury caused by using this product or if this product is used for any other purposes other than its intended purpose.
22. Please note, there are no warranties or guarantee on any fabrics or sponge grip handles used on this product.

Chelino

Stores: ChelinoBaby – Ormonde – JHB
ChelinoBaby – Fourways – JHB
ChelinoBaby – Woodmead Square – JHB
ChelinoBaby – Greenstone – JHB
ChelinoBaby – Centurion – Pretoria
ChelinoBaby – Menlyn – Pretoria
ChelinoBaby – Kolonnade – Pretoria
ChelinoBaby – Gateway – Durban
ChelinoBaby – Cavendish Square – Cape Town
ChelinoBaby – Online – www.chelinobaby.co.za



Imported for :

ChelinoBaby Group of Companies.

No. 12 Kimberlite Road , Theta Ext 5 ,
Booyens Reserve , JHB , 2091. SA.

Tel: +2711 8352520

Info: info@chelinoplatinum.co.za