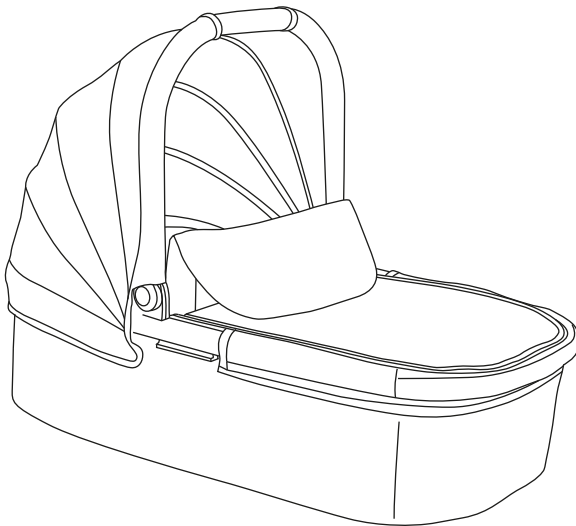




AMBER INSTRUCTION MANUAL

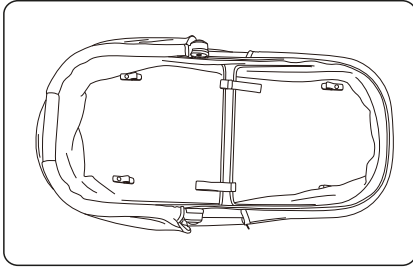


Please always read all the instructions provided carefully before use, and keep the care and maintenance instruction for further reference.

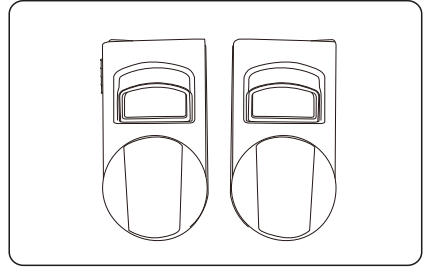
IMPORTANT! KEEP FOR FUTURE REFERENCE

ASSEMBLY INSTRUCTIONS

COMPONENTS



Bassinet



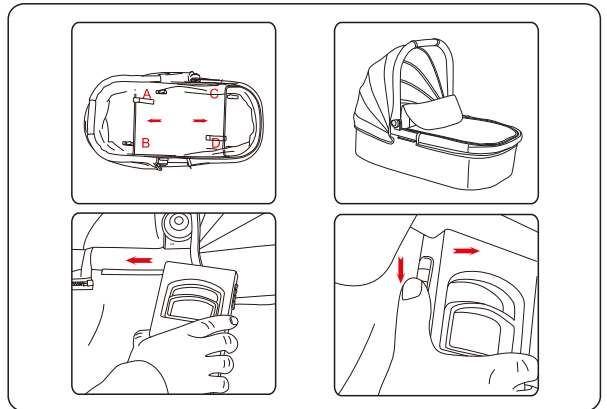
Bassinet adapters

Bassinet assembly

Remove the lining of bassinet, pull up the 2 rods and lock them into 4 locations (A, B, C, D) securely, then attach the lining onto the inner side of bassinet by zip.

Install bassinet adaptor into the slot according to the L & R side direction.

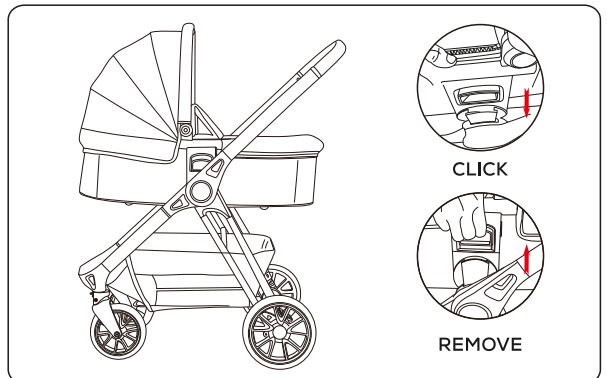
Press down and hold the release button on the adaptor to remove the adaptor.



Assembly on the chassis (optional)

Align the bassinet with the anchors on the side of the chassis and push them together until they install securely. You should hear a clear "click".

Never insert the bassinet onto the stroller or remove the bassinet from the stroller whilst the baby is inside.



SAFETY & CARE NOTES

IMPORTANT, RETAIN FOR FUTURE REFERENCE: READ CAREFULLY

THANK YOU FOR CHOOSING OUR PRODUCT, PLEASE ALWAYS READ ALL THE INSTRUCTIONS PROVIDED CAREFULLY BEFORE USE AND REMEMBER, YOUR CHILD'S SAFETY MAY BE AFFECTED IF YOU DO NOT FOLLOW THESE INSTRUCTIONS. THIS PRODUCT COMPLIES WITH ASTM F2194 .

WARNING: Failure to follow these warnings and the instructions could result in a serious injury or death.

WARNING: NEVER LEAVE THE CHILD UNATTENDED.

WARNING: FALL HAZARD-To help prevent falls, **DO NOT** use this product when the infant begins to push up on hands and knees or has reached manufacturer's recommended maximum weight of 19.5 lbs or up to 6 months, whichever comes first. **NEVER OVERLOAD.**

WARNING: SUFFOCATION HAZARD: Infants have suffocated:

In gaps between an extra padding and side of the bassinet, and on soft bedding.

WARNING: Use **ONLY** the pad provided by the manufacturer. **NEVER** add a pillow, comforter or another mattress for padding.

WARNING: If a sheet is used with the pad, use only the one provided by the manufacturer or one specifically designed to fit the dimensions of the bassinet mattress.

WARNING: To reduce the risk of **SIDS**, pediatricians recommend healthy infants be placed on their back to sleep, unless otherwise advised by your physician.

WARNING: Strings can cause strangulation! **DO NOT** place items with a string around a child's neck, such as hood strings or pacifier cords. **DO NOT** suspend strings over a product or attach strings to toys.

WARNING: FALL HAZARD – Always check that the bassinet is securely locked on the pushchair by pulling upwards on the bassinet bed.

WARNING: Do not use the bassinet apron on the bassinet whilst in doors due to the risk of overheating.

WARNING: Do not have the hood upright whilst in use indoors due to the risk of overheating.

WARNING: This product is only suitable for a child who cannot sit up unaided.

WARNING: Only use on a firm, horizontal level and dry surface.

WARNING: Do not let other children play unattended near the carry cot.

WARNING: Do not use if any part of the carry cot is broken, torn or missing.

SAFETY & CARE NOTES

Only use replacement parts supplied or approved by the manufacturer.

The handles and the bottom of the carry cot should be inspected regularly for signs of damage and wear.

Follow the instructions for the correct and safe assembly and use of the carry cot.

The head of the child in the carry cot should never be lower than the body of the child.

Do not add another mattress on top of the mattress provided or recommended by the manufacturers.

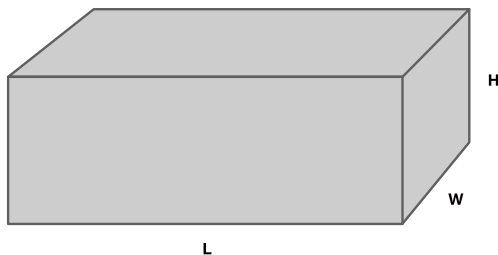
Cleaning & washing

Please make a routine check to make sure that bassinet is secure.

Please use the soft and dry cloth or sponge to clean the bed.

Due to variation on the styles and designs of our products, the photographs and illustrations shown in this manual are generic. Therefore products fabric, colour and design may vary from images shown, Chelino reserves the right to alter products specifications

DIMENSION INFO



LENGTH **81CM**

WIDTH **42CM**

HEIGHT **60CM**

CARTON LENGTH **82CM**

CARTON WIDTH **43CM**

CARTON HEIGHT **11CM**

WEIGHT **4.5 KGS**

ChelinoBaby®

Stores: ChelinoBaby – Ormonde - JHB

ChelinoBaby – Fourways – JHB

ChelinoBaby – Menlyn – Pretoria

ChelinoBaby – Kolonnade-Pretoria

ChelinoBaby – Gateway - Durban

ChelinoBaby – Online –www.chelinobaby.co.za



Importer:

Anchor International

Add: 12 Kimberlite Road , Theta Ext 5 Booyens Reserve , JHB
2091 South Africa.

Tel: +2711 8352520

Info: info@chelino.co.za